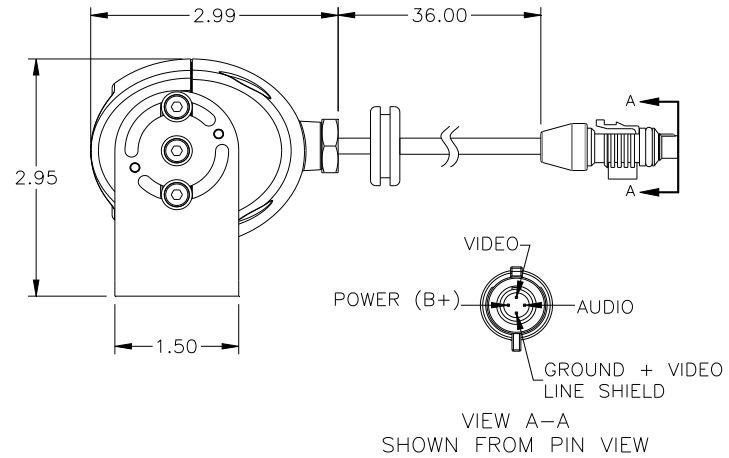
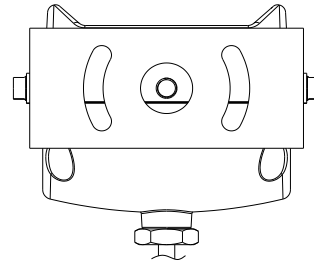
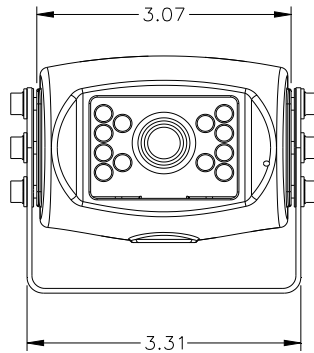


VCMS10B CMOS Color Camera



Features & Product Highlights:

- **High Performance Color Optics**
- **Waterproof**
- **Machined aluminum body**
- **Excellent low light and high bright environment performance**
- **12 IR LED's**
- **Microphone**

General Specifications

Power System	12VDC	
Operating Voltage Range	10V – 14VDC	
Power Consumption	224mA	
Operating Temperature Range	-4°F to 149°F	-20°C to 65°C
Storage Temperature Range	-40°F to 185°F	-40°C to 85°C
Operating Relative Humidity	100% RH	
Waterproof Rating	IPX6	
Overall Dimensions	3.3" x 3" x 3"	83.8 x 76 x 76mm
Product Weight (unpacked)	13 oz	369 g

Optical Specifications

Video Output Signal Format	NTSC	
Video Signal Output Level	1.0V p-p ; 75Ω	
Audio Output	YES	
CMOS Specifications	Sensor	1/3" CMOS
	Iris/Shutter Type	Electronic Automatic
	Shutter speed	1/60 s ~ 12 μs
	Resolution	380 Lines
	Sensitivity	0 Lux
	Image Orientation	Mirror (Reversed)
	View Angles	D
	H	93°
	V	66°